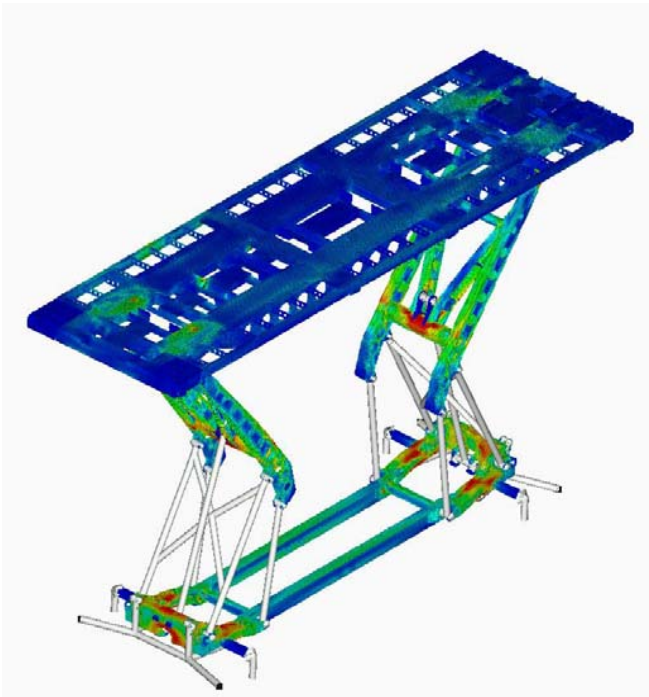
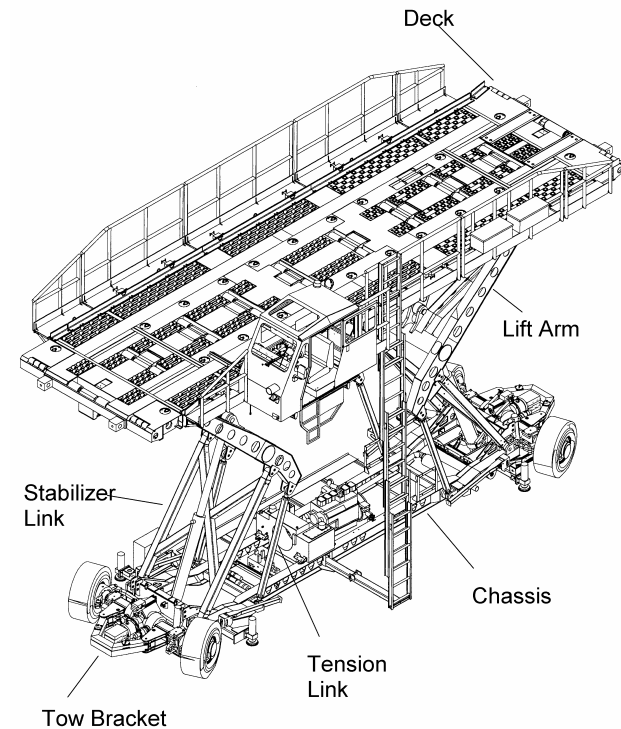




## Mechanical Case Study (Applied Structural Analysis, Inc. – Cargo Loader)



Applied Structural Analysis, Inc. used NEi Nastran to analyze the Next Generation Small Loader (right), which will replace an older aircraft cargo loader used by the Royal Air Force (RAF) and Royal Norwegian Air Force. The loader must be able to support large weights and withstand arctic and desert conditions, dock impacts, and various types of point loading. The finite element model used (left) has over 90,000 elements and 540,000 degrees of freedom and was solved in less than 20 minutes with an Intel Pentium III 500 MHz computer.



**NEi Software, Inc.** is aggressively focused on commitment to the customer. Detailed documentation, customized on-site training, and comprehensive technical support ensures that you will see immediate return on your investment.

**For more information about our company or our products, please contact:**

**Headquarters:**

**NEi Software, Inc.**

5555 Garden Grove Blvd., Suite 300

Westminster, CA 92683-1886

USA

Phone: +1.714.899.1220

Fax: +1.714.899.1369

Email: [info@neisoftware.com](mailto:info@neisoftware.com)

Website: [www.NEiSoftware.com](http://www.NEiSoftware.com)

**Europe:**

**NEi Software EMEA Office**

The Old Barrel Store

Draymans Lane, Marlow

Buckinghamshire, SL7 2FF

United Kingdom

Phone: +44.0.1628.400.645

Fax: +44.0.1628.891.701

E-mail: [emea@neisoftware.com](mailto:emea@neisoftware.com)

Website: [www.NEiSoftware.com/emea](http://www.NEiSoftware.com/emea)

**Asia:**

**NEi Software Asia Office**

Shinjuku Park Tower

N30th Floor 3-7-1 Nishi-Shinjuku

Shinjuku-ku, Tokyo, 163-1030

Japan

Phone: +81.03.5326.3062

Fax: +81.03.5326.3001

E-mail: [asia@neisoftware.com](mailto:asia@neisoftware.com)



NEi Nastran *for Windows*  
From NEi Software, Inc.